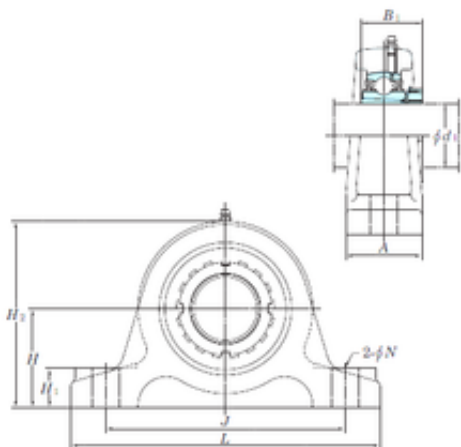




# AMERICAN BEARING MFG.CORP.

## KOYO UKIP211 Bearingunits

Bearing No. UKIP211



UKIP211 Bearing 2D drawings and 3D CAD models

Bore Diameter	50,8 mm
Width	80 mm
d	50,8 mm
A	60 mm
B1	45 mm
H	80 mm
H1	28 mm
H2	148 mm
J	180 mm
L	230 mm
N	19 mm
Bolt (G)	M16
Weight	5,3 Kg
Basic dynamic load rating (C)	43,4 kN
Basic static load rating (C0)	29,4 kN