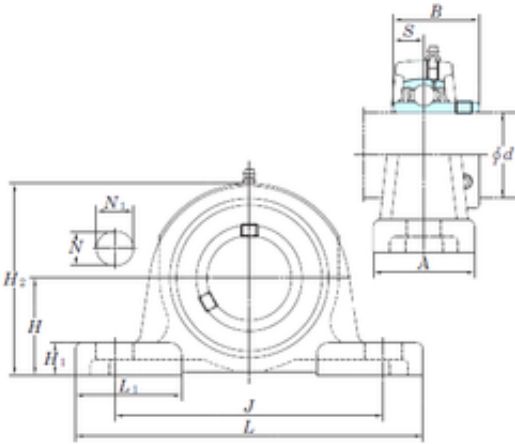




AMERICAN BEARING MFG.CORP.

KOYO UCP321 Bearingunits

Bearing No. UCP321



UCP321 Bearing 2D drawings and 3D CAD models

Bore Diameter	105 mm
Width	112 mm
d	105 mm
A	120 mm
B	112 mm
H	140 mm
H1	46 mm
H2	278 mm
J	380 mm
L	490 mm
L1	140 mm
N	36 mm
N1	50 mm
S	44 mm
Bolt (G)	M30
Weight	37,6 Kg
Basic dynamic load rating (C)	184 kN
Basic static load rating (C0)	153 kN
Bearing No.	UCP321
Bolt size	M30
Cr	184
C0r	153
f0	13.2
(Refer.)Unit mass(kg)	37.6
Nipple size	R1/8