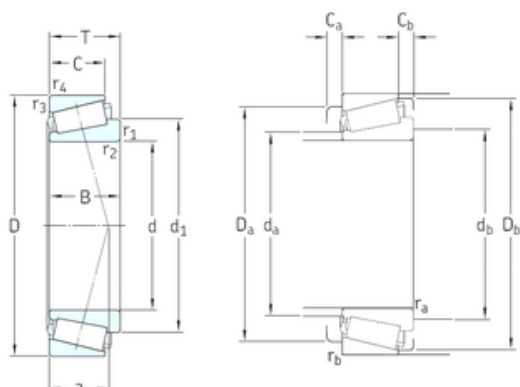




AMERICAN BEARING MFG.CORP.



220 mm x 340 mm x 76 mm SKF 32044X Taperedrollerbearings

Bearing No. 32044X

Size	220x340x76 mm
Bore Diameter	220 mm
Outer Diameter	340 mm
Width	76 mm
d	220 mm
D	340 mm
T	76 mm
B	76 mm
C	57 mm
a	72 mm
d1	280 mm
r1 min.	4 mm
r2 min.	4 mm
r3 min.	3 mm
r4 min.	3 mm
Ca min.	12 mm
Cb min.	19 mm
da max	243 mm
Da min	300 mm
Da max.	326 mm
db min	234 mm
Db min.	326 mm
ra max.	4 mm
rb max.	3 mm
Weight	24,5 Kg

32044X Bearing 2D drawings and 3D CAD models



AMERICAN BEARING MFG.CORP.

Basic dynamic load rating (C)	897 kN
Basic static load rating (C0)	1660 kN
Fatigue load limit (Pu)	150
Reference speed	1300 r/min
Limiting speed	1700 r/min
Calculation factor (e)	0,43
Calculation factor (Y)	1,4