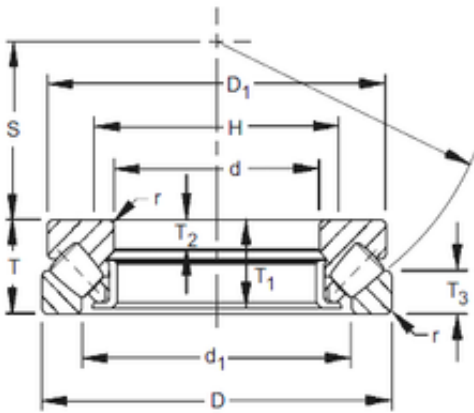




AMERICAN BEARING MFG.CORP.

29444 TIMKEN Double Direction Thrust Bearings

Bearing No. 29444



29444 Bearing 2D drawings and 3D CAD models

Size	220x420x122 mm
Bore Diameter	220 mm
Outer Diameter	420 mm
Width	122 mm
d	220 mm
D	420 mm
T	122 mm
B	43 mm
C	59 mm
r max	5,1 mm
T1	117 mm
d1	307 mm
D1	400 mm
H	310 mm
S	133 mm